

2024
CATALOG



BMAG[®]
WATER METERS

宁波贝威机电有限公司
NINGBO BESTWAY M&E CO.,LTD

人爱天教

经营十二条

The Twelve Management Principles

1. 明确事业的目的和意义

树立光明正大的，符合大义名分的、崇高的事业目的。

1. Clearly state the purpose and mission of your business.

Set high objectives that are noble, just and fair.

2. 设立具体的目标

所设目标随时与员工共有。

2. Set specific goals.

Once targets are set, share them with all employees.

3. 胸中怀有强烈的愿望

要怀有渗透到潜意识的强烈而持久的愿望。

3. Keep a passionate desire in your heart.

Your desire must be strong and persistent to penetrate into your subconscious mind.

4. 付出不亚于任何人的努力

一步一步、扎扎实实、坚持不懈地做好具体的工作。

4. Strive harder than anyone else

Work steadily and diligently, one step at a time, never relenting in tedious tasks.

5. 销售最大化、经费最小化

利润无需强求，量入为出，利润随之而来。

5. Maximize revenues and minimize expenses.

Measure your inflow and control your outflow; don't chase profit, but let it follow your effort.

6. 定价即经营

定价是领导的职责—价格应定在客户乐意接受、公司盈利的交汇点上。

6. Pricing is management.

Pricing is top management's responsibility:

to find that one point where customers are happy and the company is most profitable.

7. 经营取决于坚强的意志

经营需要洞穿岩石般的坚强意志。

7. Success is determined by willpower.

Business management requires a persistent "rock-piercing" will.

8. 燃烧的斗魂

经营需要强烈的斗争心，其程度不亚于任何格斗。

8. Possess a fighting spirit.

Management requires a more combative mentality than any martial art.

9. 临事有勇

不能有卑怯的举止。

9. Face every challenge with courage.

Be fair and never deceive others.

10. 不断从事创造性工作

明天胜过今天，后天胜过明天，不断琢磨，不断改进，精益求精。

10. Always be creative in your work.

Innovate and improve continuously.

Today should be better than yesterday; tomorrow, better than today.

11. 以利他之心，诚实经营

买卖是双方的，生意各方都得利，皆大欢喜。

11. Be kind and sincere.

Business is based on partnerships and must bring happiness to all parties.

12. 乐观向上，怀抱梦想，提高心性。

12. Always be cheerful and positive; hold great dreams and

hopes in the pureness of your heart.

* 以上英文翻译来源于稻盛资料馆



ABOUT US

NINGBO BESTWAY M&E CO.,LTD is a professional manufacturer of waterworks products in water meter, water meter valves, water meter boxes and accessories. The company has more than 20 years' experience in waterworks industries with area of 20,000+ square meters and more than 150 employees.

Ningbo Bestway obtained ISO9001:2015 certificate and MID certificate for water meter. In conformance with ISO 4064 & OIML-R49 international standard, MID 2014/32/EU European standard and NSF-61 standard, the company produces the water meters with material lead brass, lead free brass, plastic and bronze. BMAG water meters mostly are exported to Europe, Africa, Asia, South America and US market. We have rich experience to help many clients to win the government projects.

OEM/ODM is available for BMAG meters. We always provide excellent quality and service to satisfy customers. We are insisting to become a global super supplier of waterworks industry.





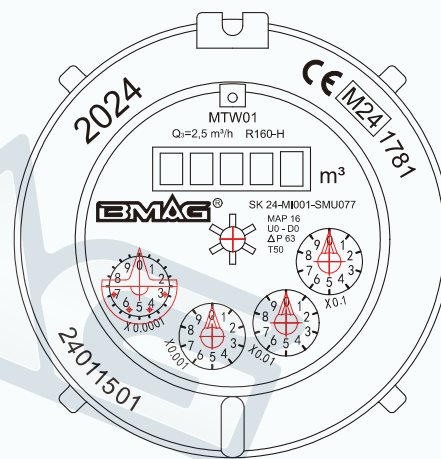
MULTI JET WATER METER

- Multi jet water meters offer a reliable and cost-effective solution for measuring water consumption in various settings, providing accurate data for billing, monitoring, and managing water resources.

DIAL PLATE DESIGN (DN15,R160)

Features

- Multi jet working principle assures a long service time
- Low pressure loss, high sensitivity at initial flow
- IP68 protection with copper / stainless steel register cup
- Reinforced glass with high resistance to pressure and impact
- Electrostatic painted body made of corrosion resistant brass
- Protection against external magnetic fields
- Available for optical reading /360° rotating lid
- Pulse output and AMR reading features are optional
- Non return valve and filter available
- Suitable for potable water , cold water up to 50°C
- Almost no maintenance
- Vacuumed mechanism
- MID certificated



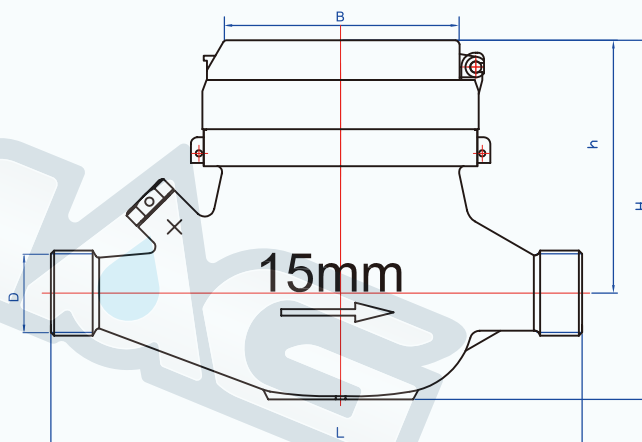
Working Conditions

- Temperature: Available for cold water 0-50 °C
- Pressure: ≤1.6MPa (16bars)

Standards compliance

- ISO4064:2014/OIML R49
- Directive 2014/32/EU on measuring instruments
- European Standard EN14154

Dimension



	DN15	DN20	DN25	DN32	DN40	DN50
L (mm)	165/190	190	225/260	260	300	300
D	G3/4	G1	G1-1/4	G1-1/2	G2	G2-1/4
h (mm)	79	79	81	81	98	98
B (mm)	87	87	92	92	113	113
H (mm)	112	112	121	121	152	152

Technical Data

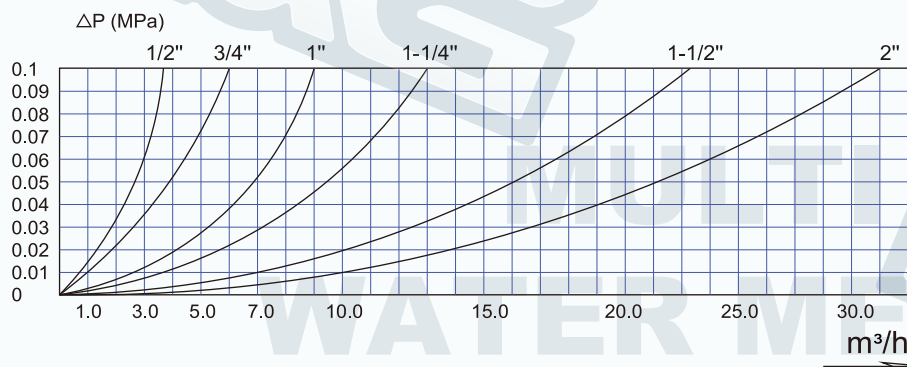
Size		DN15	DN20	DN25	DN32	DN40	DN50
Overload Flowrate (Q4)	m ³ /h	3.125	5	7.875	12.5	20	31.25
Permanent Flowrate (Q3)	m ³ /h	2.5	4	6.3	10	16	25
Transitional Flowrate (Q2)	l/h	≥25	≥40	≥63	≥100	≥160	≥250
Minimum Flowrate (Q1)	l/h	15.625	25	39.375	62.5	100	156.25
Q3/Q1 (OIML R49)		≤R160H≤R80V					
Mounting on the network		Horizontal					
Max. Reading	m ³	99999.9999				999999.9999	
Min. Reading	Liter	0.05					
Max. Working Pressure	bar	16					
Max. Working Temperature	°C	50					
Pressure Loss	bar	0.63					

MAX. PERMISSION ERROR

- From Q1 inclusive up to but excluding Q2 is ± 5%
- From Q2 inclusive up to and including Q4 is ± 2% for T30 and ± 3% for T50



PRESSURE LOSS CURVE





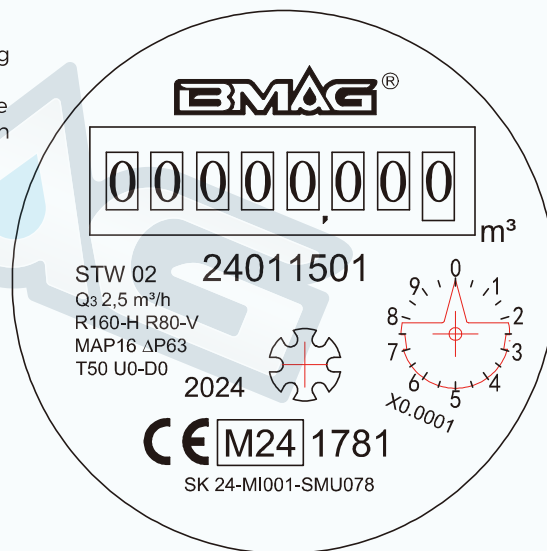
Single jet Dry type Water Meter STW

DIAL PLATE DESIGN (DN15)

- It is single jet,dry type water meter. Produced in the versions for cold water (30 C) and hot water (90 C),it covers the size from DN15 to DN20

Features

- Dry-dial,magnetic drive,protected against external magnetic tampering
- IP68 protection with copper / stainless steel register cup
- Reinforced glass with high resistance to pressure and impact available
- Brass body or plastic body is optional,both are made of corrosion resistant
- Available for optical reading · 360° rotating dail
- Pulse output and AMR reading features are optional
- Non return valve and filter available
- Suitable for potable water, cold water up to 50°C
- Almost no maintenance · Vacuumed mechanism
- Low pressure loss, high sensitivity at initial flow



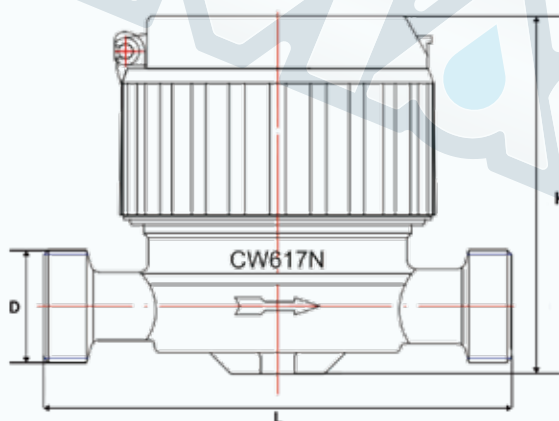
Working Conditions

- Water Temperature ≤30 C ; hot water meter ≤90 C
- Water Pressure ≤1.6MPa (16bars)

Standards compliance

- ISO4064:2014/OIML R49
- Directive 2014/32/EU on measuring instruments
- European Standard EN14154

Dimension



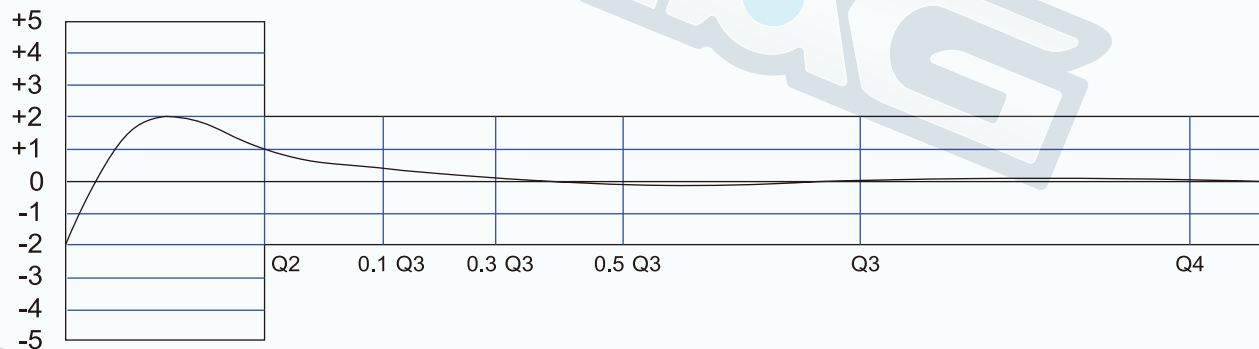
Size	DN15	DN20
L	110/165	130
L1	204/259	234
D	3/4"	1"
H	84.1	84.1

Technical Data

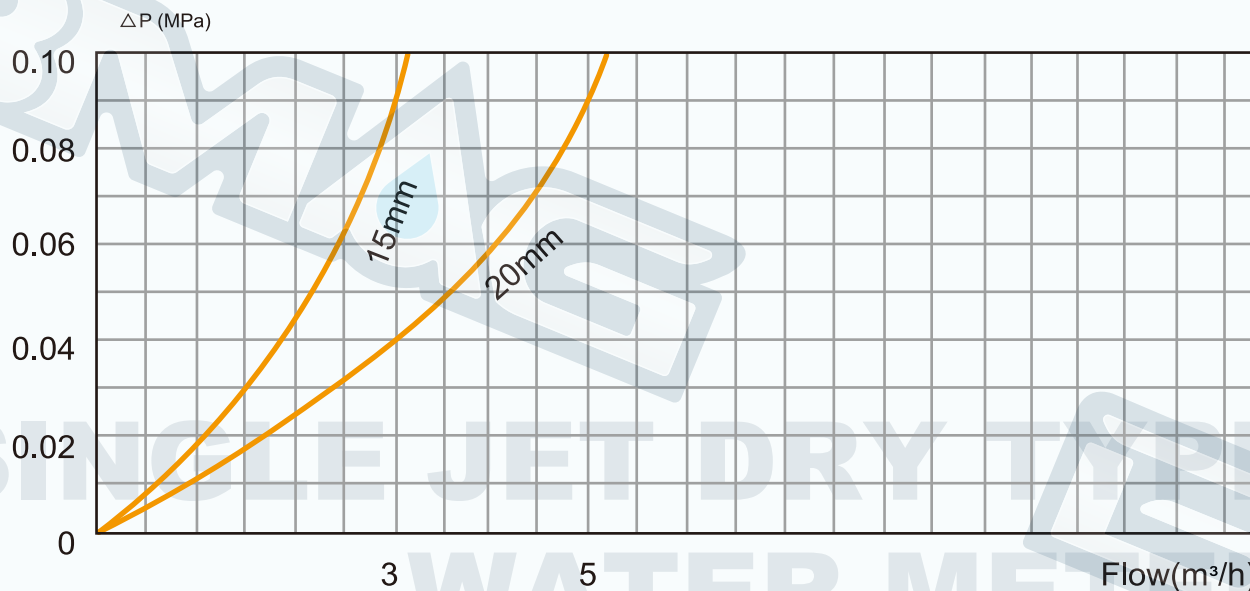
Size		DN15	DN20
Overload Flowrate (Q4)	m ³ /h	3.125	5
Permanent Flowrate (Q3)	m ³ /h	2.5	4
Transitional Flowrate (Q2)	l/h	25	40
Minimum Flowrate (Q1)	l/h	15.625	25
Q3/Q1 (OIML R49)		R160	
Mounting on the network		Horizontal	
Max. Reading	m ³	99999.9999	
Min. Reading	Liter	0.05	
Pressure Loss	ΔP	$\Delta P < 63$ at Q3	
Max. Pressure	MAP	MAP16	
Max. Temperature	°C	T30 or T50	

MAX. PERMISSION ERROR

- From Q1 inclusive up to but excluding Q2 is $\pm 5\%$
- From Q2 inclusive up to and including Q4 is $\pm 2\%$ for T30 and $\pm 3\%$ for T50



Head Loss Curve



4—1

ACS



Rotary Piston Water Meter (Volumetric Meter)

Pulse Output AS OPTION

A piston water meter is a device used to measure the flow of water through a pipeline by utilizing the movement of a piston within a chamber. Its accurate and reliable performance makes it a widely used device for monitoring water usage and managing water resources

Features

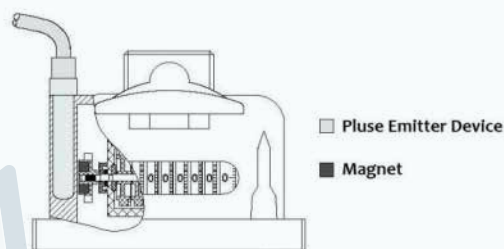
- Mechanical drive with liquid filled register
- Inner Non Return Valve
- Higher accuracy in R160 or R200
- Install in any position

Working Conditions

- Suitable for potable water, cold water up to 50°C
- Water Pressure ≤1.6MPa (16bars)

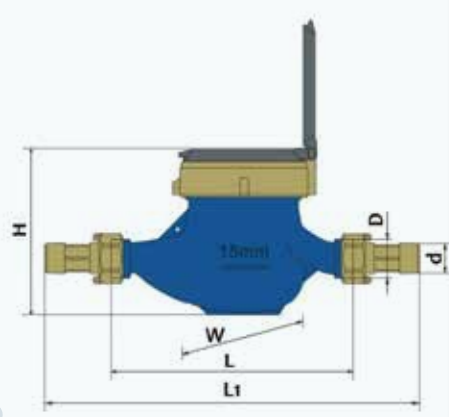
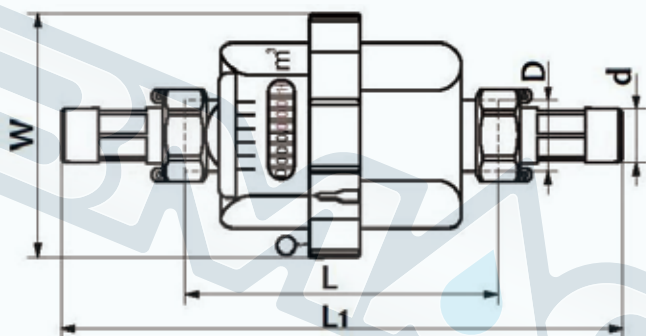
Standards compliance

- ISO4064:2014/OIML R49
- Directive 2014/32/EU on measuring instruments
- European Standard EN14154



- The Pulse output Device consists of a plastic housing with Reed Switch, and 1.5 m cable with 2 cores in Red and Black
- Electric Data: Vmax=24AC/DC, Imax=0.01A
- Capacity of the Pulse output or Pulse output pre-equipped:

Size	DN15-DN20-DN25-DN32-DN40
Pulse output Capacity	2 pulses/liter

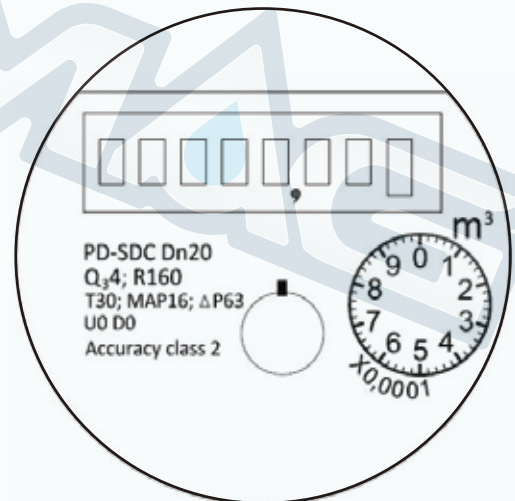


Size	DN15	DN20	DN25	DN32	DN40
L	115	130/154/165	175	260	300
L1	209	234/258/247	295	384	431
D	3/4"	1"	1/4"	1-1/2"	2"
d	1/2"	3/4"	1"	1-1/4"	1-1/2"
W	85/96	85/106	105	139	174

Size	DN15	DN20	DN25	DN32	DN40
L	165	190	260	260	300
L1	259	194	380	380	431
D	G3/4	G1	G1-1/4	G1-1/2	G2
d	R1/2	R3/4	R1	R1-1/4	R1-1/2
H	107.5	107.5	117.5	117.5	141.5
W	94	94	98	98	122

L1:the total length with connection and the gasket without compression.

DIAL PLATE DESIGN

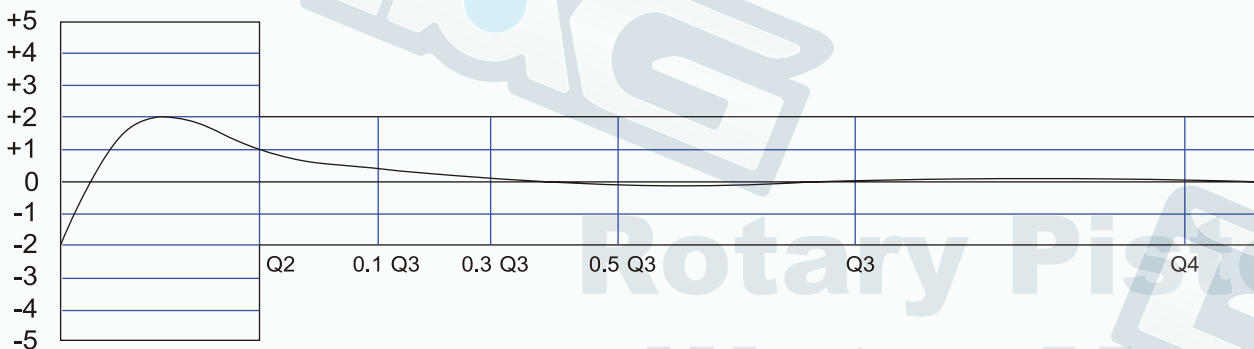


Technical Data

Size		Dn15	Dn20	Dn25	Dn32	Dn40
R	Q3/Q1	160	160	160	160	160
Overload Flowrate (Q4)	m ³ /h	3,125	5	7,875	12,5	20
Permanent Flowrate (Q3)	m ³ /h	2,5	4	6,3	10	16
Transitional Flowrate (Q2)	l/h	25	40	63	100	160
Minimum Flowrate (Q1)	l/h	15,625	25	39,375	62,5	160
Max. Reading	m ³	9999,9999			99999,999	
Min. Reading	Liter	0,02			0,2	
Pressure Loss	ΔP	ΔP<63 at Q3				
Max. Pressure	MAP	MAP16				
Max. Temperature	°C	T30 or T50				

MAX. PERMISSION ERROR

- From Q1 inclusive up to but excluding Q2 is ± 5%
- From Q2 inclusive up to and including Q4 is ± 2% for T30 and ± 3% for T50



Rotary Piston Water Meter

5—1

ACS



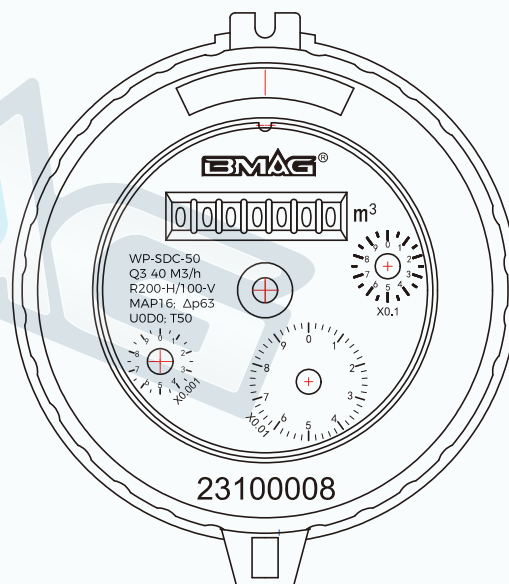
TURBINE WOLTMAN WATER METER

DIAL PLATE DESIGN (DN50 R200)

- It is a flanged mechanical turbine water meter for industrial and irrigation application, cover the size from DN40 to DN300 (1-1/2 inch to 12 inch)
- It was designed with super high measuring range and be able to reach flow profile at UOD0 installation

Features

- Iron body with inside and outside epoxy coating for protecting the corrosion
- Pattern approved removable measuring element
- Any installation position
- Flange connection: DIN PN16/10, ANSI 125/150lb
- The copper can super dry register with IP68 protection
- The entire head area including counter and transmitter is 360° rotatable for an easy reading
- Wear-resistant plastic bearings
- Integrated measuring outputs as a standard
- No effected by external magnetic fields
- Long working life and optimum accuracy
- Pulse output is available



Working Conditions

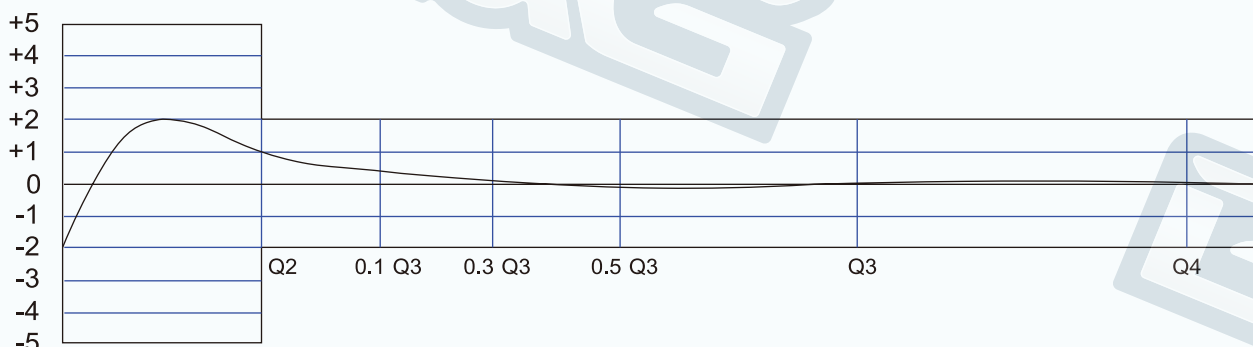
- Temperature: T50 for cold water
- Pressure: ≤1.6MPa (16bars)

Standards compliance

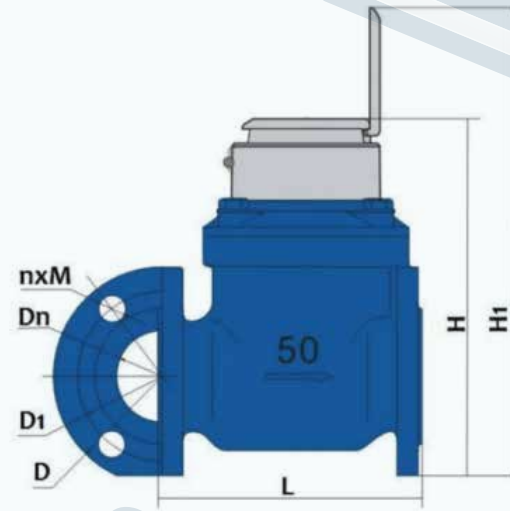
- ISO4064:2014/OIML R49
- Directive 2014/32/EU on measuring instruments
- European Standard EN14154

MAX. PERMISSION ERROR

- From Q1 inclusive up to but excluding Q2 is ± 5%
- From Q2 inclusive up to and including Q4 is ± 2% for T30 and ± 3% for T50



Dimension



- The above Flange Standard under PN16
- Different Flange Standard for selecting such as PN10, ANSI standard

Size		40	50	65	80	100	125	150	200	250	300
L	mm	200	200	200	225	250	250	300	350	450	500
H	mm	203	209	218	249	258	271	316	345	445	475
H1	mm	214	220	229	260	269	282	327	356	456	486
D	mm	150	165	185	200	220	250	280	340	405	450
D1	mm	110	125	145	160	180	210	240	295	355	410
nxM		4xM16	4xM16	4xM16	8xM16	8xM16	8xM16	8xM20	12xM20	12xM22	12xM22

Technical Data

Size		40	50	65	80	100	125	150	200	250	300	
R=Q3/Q1		R160		R200							R80	
Q4	m ³ /h	31.25	50	78.75	125	200	200	312.5	500	787.5	1250	
Q3	m ³ /h	25	40	63	100	160	160	250	400	630	1000	
Q2	m ³ /h	0.2	0.32	0.5	0.8	1.28	1.28	2	3.2	12.6	20	
Q1	m ³ /h	0.15625	0.2	0.32	0.5	0.8	0.8	1.25	2	7.88	12.5	
Max Reading	m ³	9999999.999						99999999.99				
Min Reading	m ³	0.001						0.01				
Pressure Loss	ΔP	ΔP25	ΔP25	ΔP40	ΔP25	ΔP40	ΔP40	ΔP16	ΔP40	ΔP40	ΔP40	
Max Pressure	MAP	MAP16										
Max Temperature	°C	90										
Capacity of the Pulse Emitter	m ³ /P	0.01/0.1/1						0.1/1/10				

TURBINE WOLTMAN
WATER METER

6—1



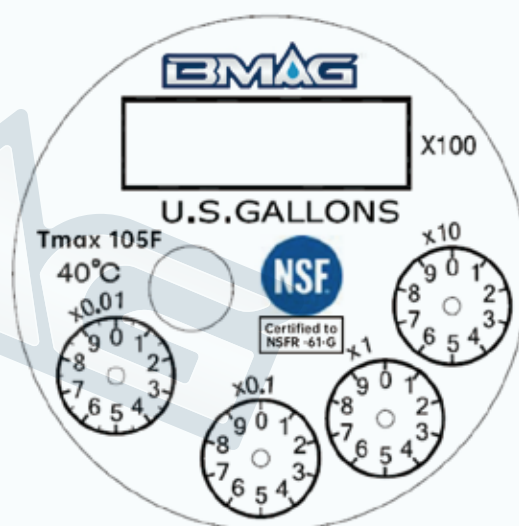
US MARKET WATER METER

- NSF approved water meters
- PME/SJ-SDC/PD series of water meter are single jet, multi-jet and Positive Displacement water meter for US market
- They are ideal choices for residential, municipal and industrial applications

Features

- All the Materials in contact with water, consciously selected by the known resistance to corrosion
- The body without coating and the Coupling (touch with water) made by plastic (GV-5H), lead free brass (C69300), lead free bronze (C89833)
- The Impeller is the only moving parts in contact with water permitting the most reliable
- The extra inlet filter at the inlet of the meter body permits cleaning it without breaking the metrological seal
- The conception of the Magnetic Protection to against the external influences
- Non Return Valve to avoid the reserve flow Rate AS OPTION
- Pulse output is available

**DIAL PLATE DESIGN (Multijet type)
m3 and CF as option**



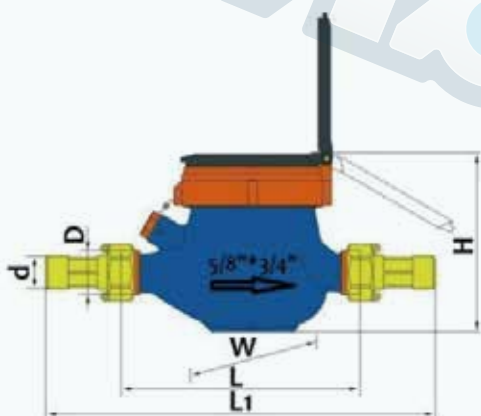
Working Conditions

- Temperature: 105F for cold water, 160F for hot water
- Pressure: 150psi

Standards compliance

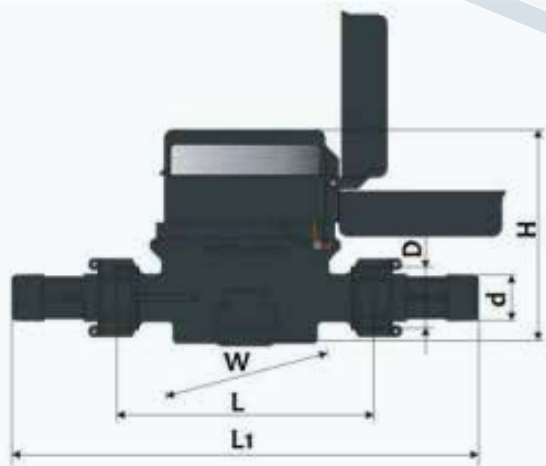
- AWWA C708 for Multijet water meter
- AWWA C712 for Single jet water meter
- AWWA C700 for Positive Displacement water meter

Dimension – Multi-jet



Size	Inch	5/8"x1/2"	5/8"x3/4"	3/4"Short	3/4"x3/4"	3/4"*1	1"	1-1/2"	2"
L	Inch	6-1/2	7-1/2	7-1/2	9	10-3/4	10-3/4	12-5/8	15-1/4
	mm	165	190	190	229	273	273	321	387
L1	mm	259	294	294	333	393	393	452	518
D (NPSM)		3/4	1	1	1	1-1/4	1-1/4	2	2-1/2
d (NPT)		1/2	3/4	1	1	1	1	1-1/2	2
H	mm	107.5	107.5	117.5	117.5	117.5	117.5	141.5	141.5
W	mm	94	94	98	98	98	98	122	122

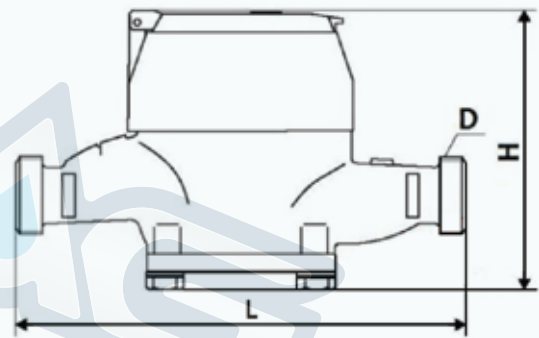
Dimension – Single-jet



Size	5/8"x3/4"
L	5.12"(130mm)
L1	9.21"(234mm)
D	1"NPSM
d	3/4"NPT
H	2.83"(72mm)
W	3.15"(80mm)

L1:the total length with connection and the gasket without compression.

Dimension – Positive Displacement



Size	5/8"x1/2"	5/8"x3/4"	3/4"Short	3/4"x3/4"	3/4"x1"	1"	1-1/2"	2"
L	7-1/2"	7-1/2"	7-1/2"	9"	9"	10-3/4"	13"	17"
D	3/4"	1"	1"	1"	1-1/4"	1-1/4"	Flange	Flange
W	3-13/16"				4-3/8"		5-3/4"	6"
H	4-3/4"				5-1/8"		6-1/4"	6-3/4"

Technical Data – Multi-jet

Size	Inch	5/8"x1/2"	5/8"x3/4"	3/4"Short	3/4"x3/4"	3/4"x1"	1"	1-1/2"	2"
High Flow Rate	GPM	20	20	30	30	30	50	100	160
Continues Flow Rate		10	10	15	15	15	25	50	80
Low Flow Rate		1/4	1/4	1/2	1/2	1/2	3/4	1-1/2	2
Normal Flow		1-20	1-20	2-30	2-30	2-30	3-50	5-100	8-160
Max.Reading	USG	9,999,999.99				9,999,999.9			
Min.Reading	USG	0.005				0.05			
Max.Reading	CF	999,999.999				9,999,999.99			
Min.Reading	CF	0.0005				0.005			
Max.Working Pressure	PSI	150							
Max.Temperature	Deg.F	105							

MAX. PERMISSION ERROR:

- Within the normal flow rate range is ± 1.5%
- At low flow rate is ± 3%

Technical Data – Single-jet

Size	DN	5/8"x3/4"
High Flow Rate	GPM (U.S.)	20
Continues Flow Rate	GPM (U.S.)	10
Low Flow Rate	GPM (U.S.)	1/4
Normal Flow Rate Range	GPM (U.S.)	1~20
Max.Working Pressure	PSI	150
Max.Temperature	Deg.F	Up to F105 for cold
		Up to F160 for hot
Max.reading	Gallon U.S	9999999.99
Min.reading	Gallon U.S	0.01

MAX. PERMISSION ERROR:

- Within the normal flow rate range is ± 1.5%
- At low flow rate is + 1.5% / -5%

Dimension – Positive Displacement

Size	inch	5/8"x1/2"	3/4"Short	1"	1-1/2"	2"
		5/8"x3/4"	3/4"x3/4"	X	X	X
		X	3/4"x1"	X	X	X
High Flow Rate	USGPM	20	30	50	100	160
Continues Flow Rate	USGPM	10	15	25	50	80
Low Flow Rate	USGPM	1/4	1/2	3/4	1-1/2	2
Normal Flow Rate Range	USGPM	1-20	2-30	3-50	5-100	8-160
Max.Working Pressure	PSI	150	150	150	150	150
Max.Temperature	Deg.F	122	122	122	122	122
Max.reading	USG	9999999.99			999999999.9	
Min.reading	USG	0.01			0.1	
Max.reading	CF	999999.999			999999999.99	
Min.reading	CF	0.001			0.01	
Max.reading	m³	99999.9999			999999.999	
Min.reading	m³	0.0001			0.001	

MAX. PERMISSION ERROR:

- Within the normal flow rate range is ± 1.5%
- At low flow rate is + 1% / -5%



7—1



Water Meter Accessories

- Water Meter boxes are used to shelter, protect and support the water meter as well as the valves and fittings located before and/or after the water meters
- Ningbo Bestway provides water meter boxes on many projects. Here are some water meter ball valve kits



- Available Water Meter Box for DN15 to DN50 Water Meters. Material options: Composite Plastic or Cast Iron



L270



L315



L365



L470



L530



L673



TEL: +86-574-27788031

+86-574-87223659

FAX: +86-574-87506697

+86-574-97506907

EMAIL: info@bwvalves.com

WEB: www.bmagmeter.com
www.bwvalve.com

Head Office Add: 10F, Zhenru Center, No.225, Northern Section
of Huancheng West Road, Ningbo, China

Factory Add: No.298, Bingang Road, Binhai New Area, Economic
Development Zone, Fenghua District, Ningbo, China

BESTWAY
C O M P A N Y

NINGBO BESTWAY M&E CO.,Ltd



CE MID